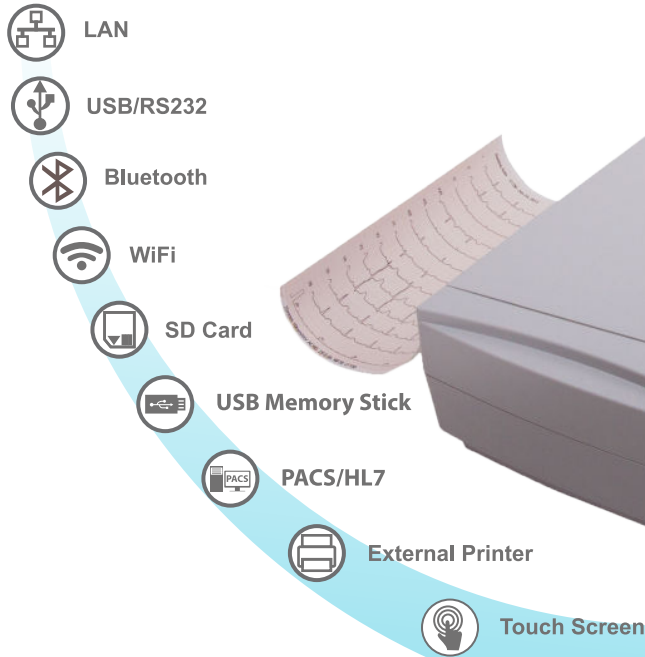


CARDIPIA800H



Optional Keyboard (800MEMR4)

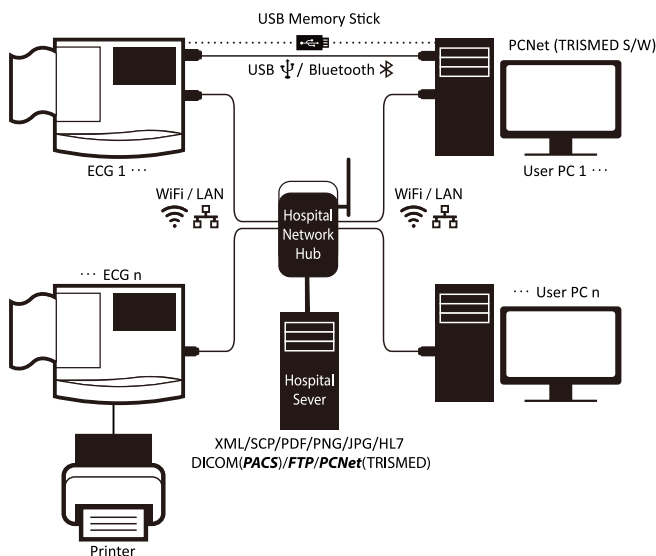


- 12/6/3-ch record and display
- ECG measurement and interpretation for pediatrics / adults
- 7" color LCD with touch screen
- High accurate ECG acquisition : 16 bits ADC (1.25 μ V/bit)
- HIS standard format: DICOM, HL7, XML, SCP, PDF, PNG, JPG
- Connectivity with PACS Server / TRISMED PCNet
- Data transfer interface: USB, Ethernet LAN, Bluetooth, WiFi
- Transfer real-time ECG signal to PC via LAN / WiFi
- Connection to external Printer, Barcode or Magnetic Card Reader
- Data memory : Internal (4,000 records), optional SD or USB memory
- Stress ECG system interface
- Complied with latest safety requirement



Trolley / Hanger

CARDIPIA ECG NETWORK



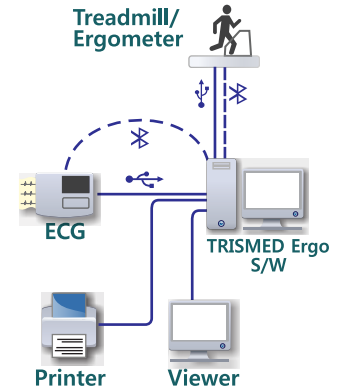
- Full disclosure record : up to 10 min.
- QRS, Arrhythmias and Pacemaker detection
- 216 / 210 mm roll or optional Z-folder paper
- Membrane and touch alphanumeric PC keypad
- Easy S/W update by USB memory stick
- Alarms detection : HR, paper empty, lead off, low battery
- Multi-language support : English/Spanish/
French/Russian/Turkish/Mongolian/user request

CARDIPIA800H Technical Specifications

Recording Leads	12 standard leads : I, II, III, aVR, aVL, aVF, V1, V2, V3, V4, V5, V6		
Recording Channel	12-ch x 1, 6-ch x 2, 6-ch x 2+1R, 3-ch x 4, 3-ch x 4+1R, 3-ch x 4+3R (R: Rhythm)		
Recording Lead Group	Standard / Cabrera / Nehb / User selectable group		
Recording Mode	Auto, Manual, Rhythm, Periodic, Auto Start, Elapsed, Calibration(1mV), Copy, TPH test		
Full Disclosure Report	Min. 10 sec ~ Max. 10 min. by user set / Manual mode		
Recording Length	Min. 3 sec ~ Max. 85 sec. by user select (Auto mode only)		
Recording system	Thermal printer head (8 dots/mm) / 203 (vertical) x 508 (horizontal) dpi		
Recording Thermal Paper	Roll type		Z-folder type (option)
	Standard	Fax paper	Folding paper size :
	216 (or 210) mm x 30 m	Grid record	210 mm (L) x 60 mm (W) x 400 sheets
Interpretation (option)	Adult / Pediatric, Mean cardiac cycle with segment and measurement		
Stress ECG I/F (option)	Wire (RS232/USB) / Bluetooth. Treadmill/Ergometer and PC stress ECG S/W are required		
Sensitivity (mm/mV)	2.5, 5, 10, 20, 40, Auto		
Recording Speed (mm/sec)	Auto record		Manual record
	5, 10, 12.5, 25, 50, 100		25, 50
Display	Color TFT 7" LCD (Viewing area : 154.08mm x 85.92mm), Dots : 800 x 480		
Display Channel (Ch)	12 (6-ch x 2), 6 (3-ch x 2), 3 (3-ch x 1), 4 (2-ch x 2), 2 (2-ch x 1), 1 (1-ch x 1)		
QRS Beat Display & Sound	30 ~ 240 bpm on real time		
Alarm Display and Sound	Lead-off detection for individual 10 lead, Battery level, Paper empty, HR.		
Key Operation	Alphanumeric PC key by membrane and LCD touch screen		
Calibration Signal	Sensitivity and frequency response test by using internal 1 mV		
Language	English / Spanish / French / Russian / Turkish / Mongolian / others by user request		
ECG Data Acquisition	Simultaneous 12-lead ECG		
Input Impedance	Greater than 100 MΩ per 10 Hz		
A/D Resolution	16 bits (0.17 μV/bit)		
A/D Sampling Rate	8,000 samples/8-lead/sec.		
CMRR	Greater than 100 dB		
Frequency Response	0.05 ~ 200 Hz (-3dB unfiltered)		
Time Constant	Greater than 3.2 sec.		
Digital Filter	Drift filter	Muscle Filter	AC filter
	0.5 Hz	25 / 35 Hz	50 / 60 Hz
			High frequency filter
			75 / 100 / 150 / 200 Hz
Pace Maker Detection	Option		
Arrhythmia Detection	Auto extend recording time to 20 ~ 60 sec by Ventricular Tachycardia and Bradycardia		
Data Management	Save / Delete/ Copy / Review / Transfer / Measure		
Performance	AAMI standard requirements		
Data Transfer I/F to HIS	USB memory stick / USB port / Ethernet LAN / Bluetooth (option) / WiFi (option)		
Data Save Memory (10 sec)	Internal memory: Standard 4,000 records / Optional SD card (12,000 records per 1GB)/ Optional external USB memory stick (12,000 records per 1GB)		
TRISMED PCNet S/W	Via Wire USB / Bluetooth / USB memory / LAN / WiFi		
HIS Data Format	HL7 / XML / SCP / PDF / JPG / PNG/ DICOM(PACS)		
External Device I/F (option)	Barcode Reader / Magnetic card reader / Printer: HP PSC 1310 series, HP LaserJet Pro M201 M202 series		
Patient Leakage Current	Less than 10μA		
Electrical Safety	Class I (Degree of protection against electrical shock)		
	Defibrillation proof (5000VDC) based on type CF applied part Complied IEC60601-1 :2005 (3rd. edition), IEC60601-2-25: 2011, IEC60601-1-2:2007		
Operation Power	AC	100 ~ 240VAC ±10 % ~50/60 Hz free voltage	
	Battery	Built-in rechargeable battery. NiMH19.2V (2200mA) / 420 reports (150 min) per 12-ch x 1 (5 sec) auto record by fully charged battery	
Dimension (mm)	333 (L) x 310 (W) x 105 (H)		
Weight	3.3 Kg with battery		
Temperature	Operating : +10 ~ +40 °C / Transport or Storage : -20 ~ +60 °C		
Relative Humidity	Operating : 30~75 % (non-condensing) / Transport or Storage: 10~90 % (non-condensing)		
Atmosphere	Operating : 70kPa ~ 106kPa / Transport or Storage: 50kPa ~ 106kPa		

* Contents and specification subjects change without notice

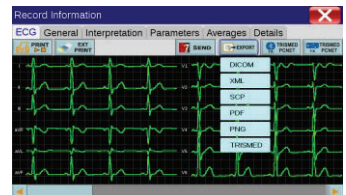
Stress ECG System



Stress ECG Interface



HIS Interface



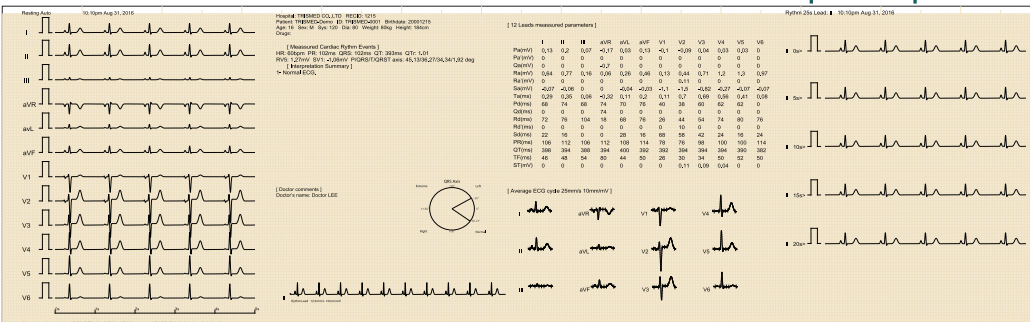
On Screen Measurements



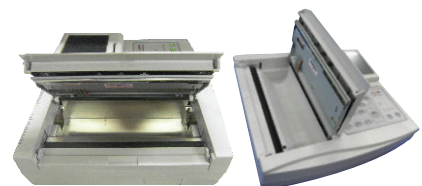
External Device Interface



Report Sample



Easy to load paper / Jamming free



TRISMED CO., LTD 409 SMECA, 65 Techno 3-ro, Yuseong-gu, Daejeon 34016, Republic of Korea
E-mail, Sales: trismed@trismed.com, Service: info@trismed.com **Web**: www.trismed.com
Tel, +82-42-936-7201 **Fax**, +82-42-936-7202

TRISMED
 Cardiac Diagnosis Systems
 Satisfaction Superiority Specialization

Cat. NO.: MD-Cat800H-001 Rev.2 2016-10-14. Printed in Korea